

# Floor Walls for Mountain Top® Slide

Installation manual



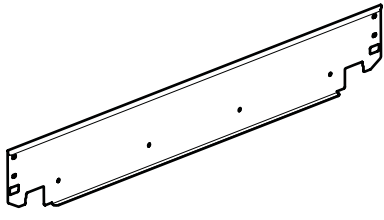
DOWNLOAD PDF





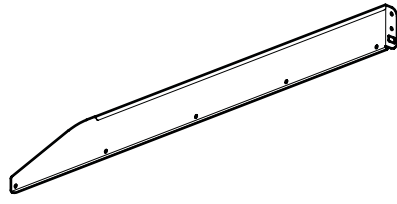
Parts

**A**



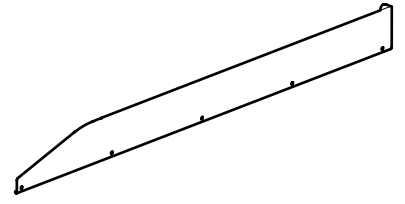
x 1

**B**



x 1

**C**

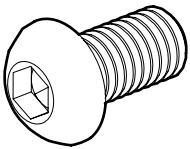


x 1



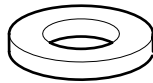
Kit

**D**



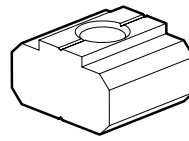
x 18

**E**



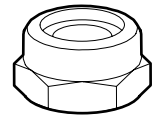
x 22

**F**



x 14

**G**

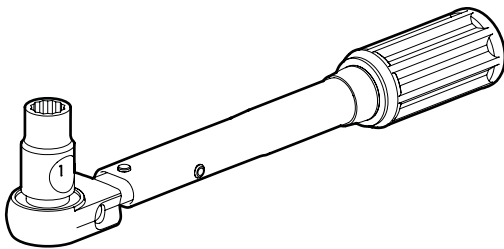


x 4



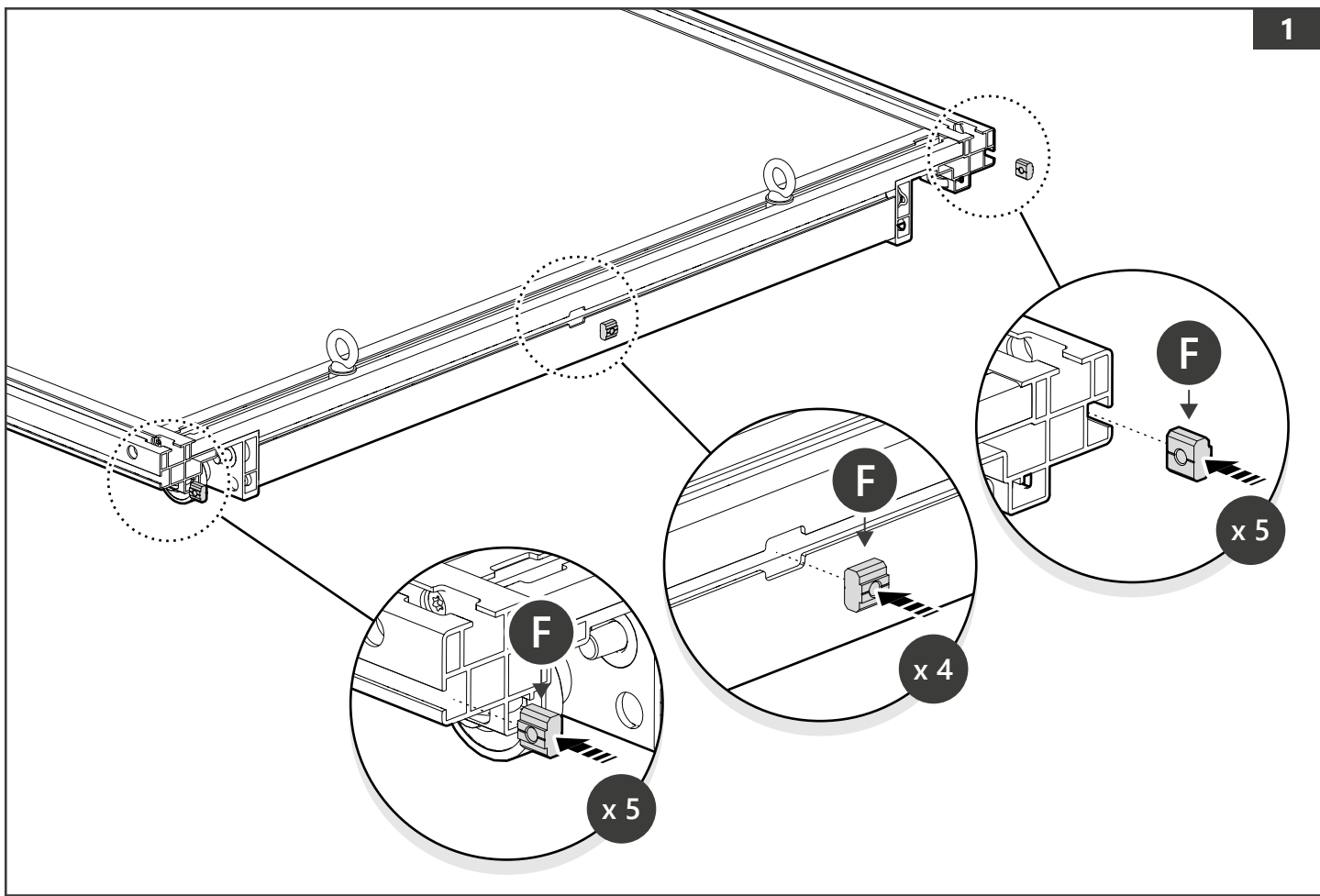
Tools and materials needed

1-25 Nm

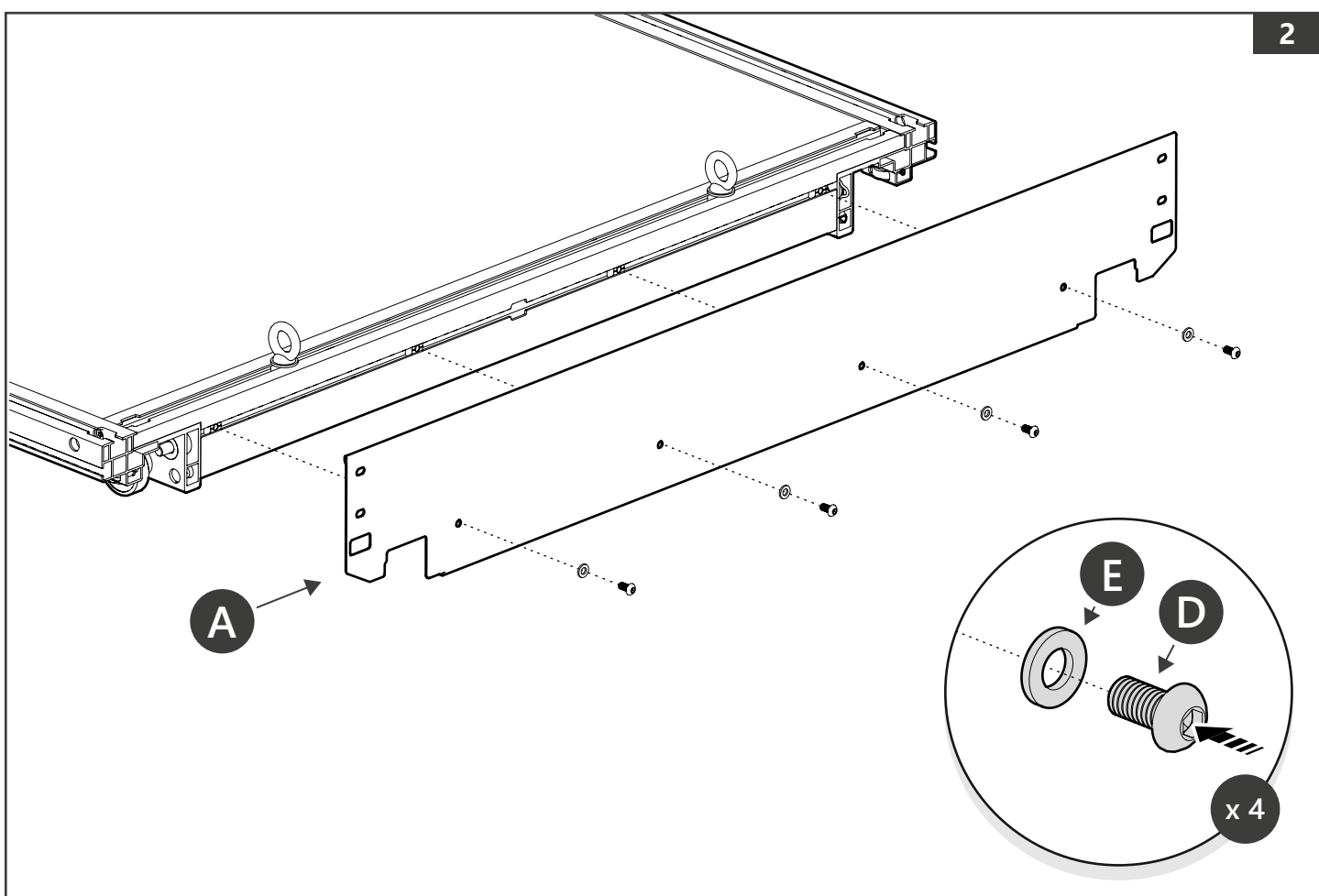


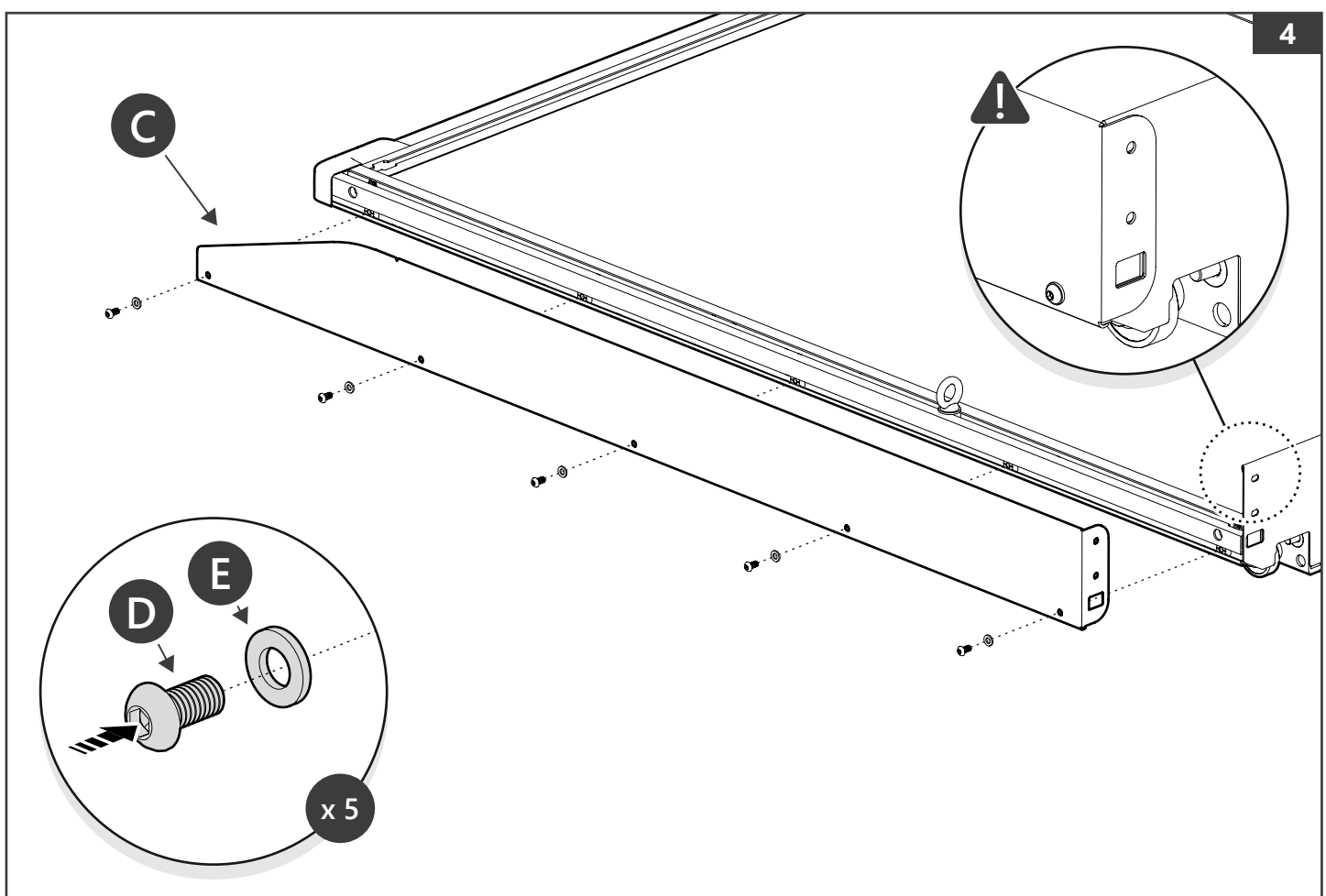
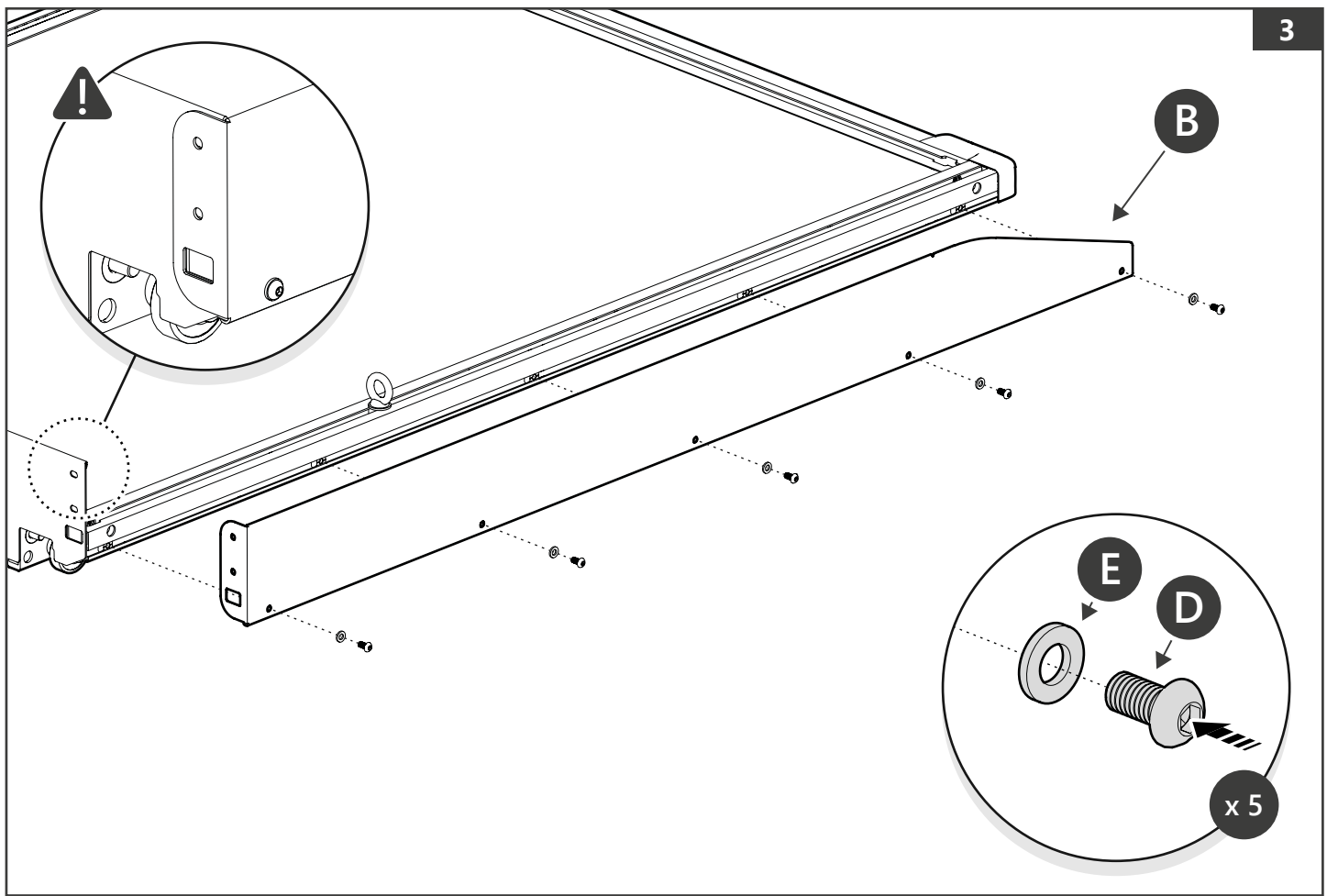
⊙ 5 mm

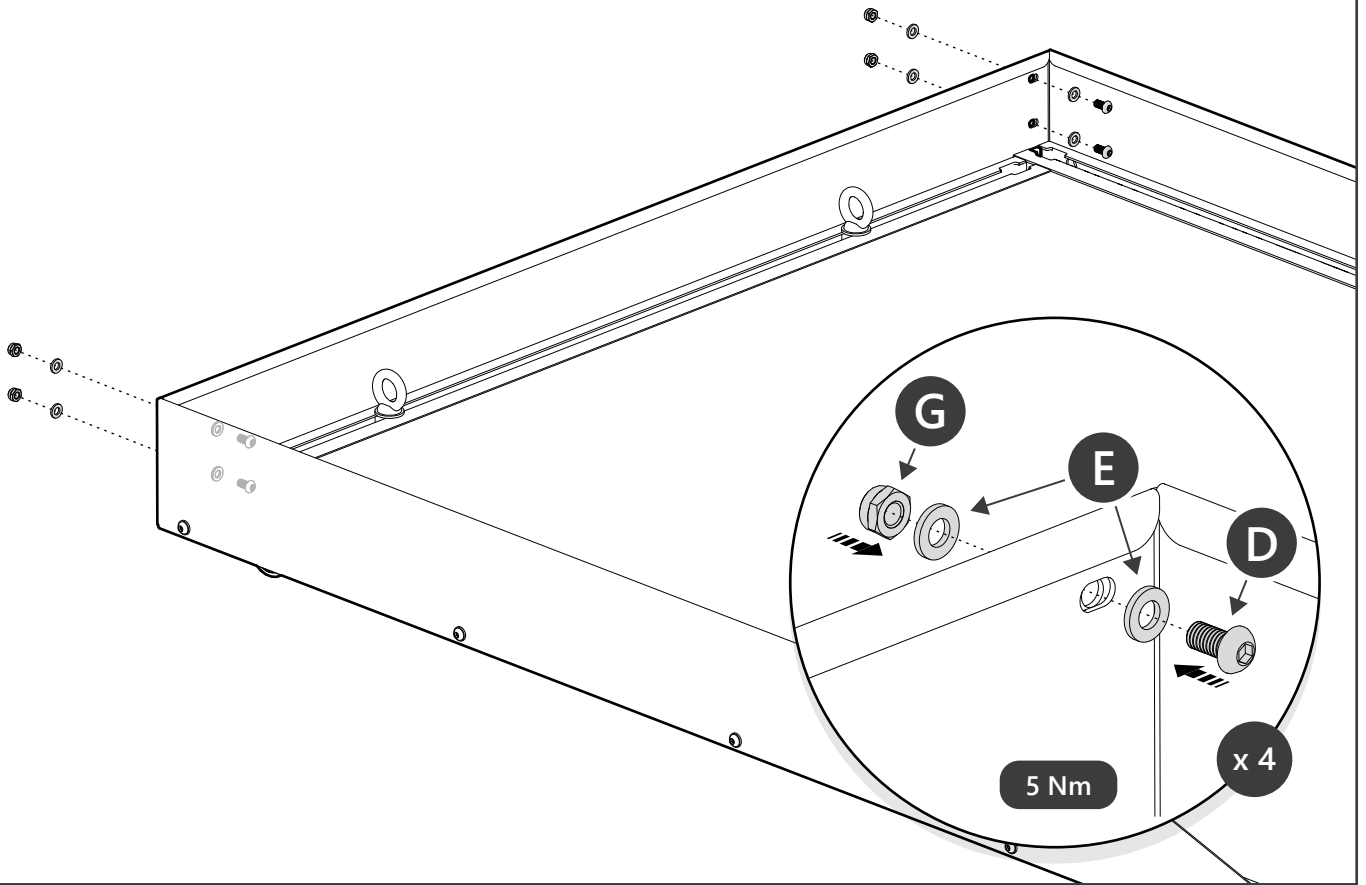
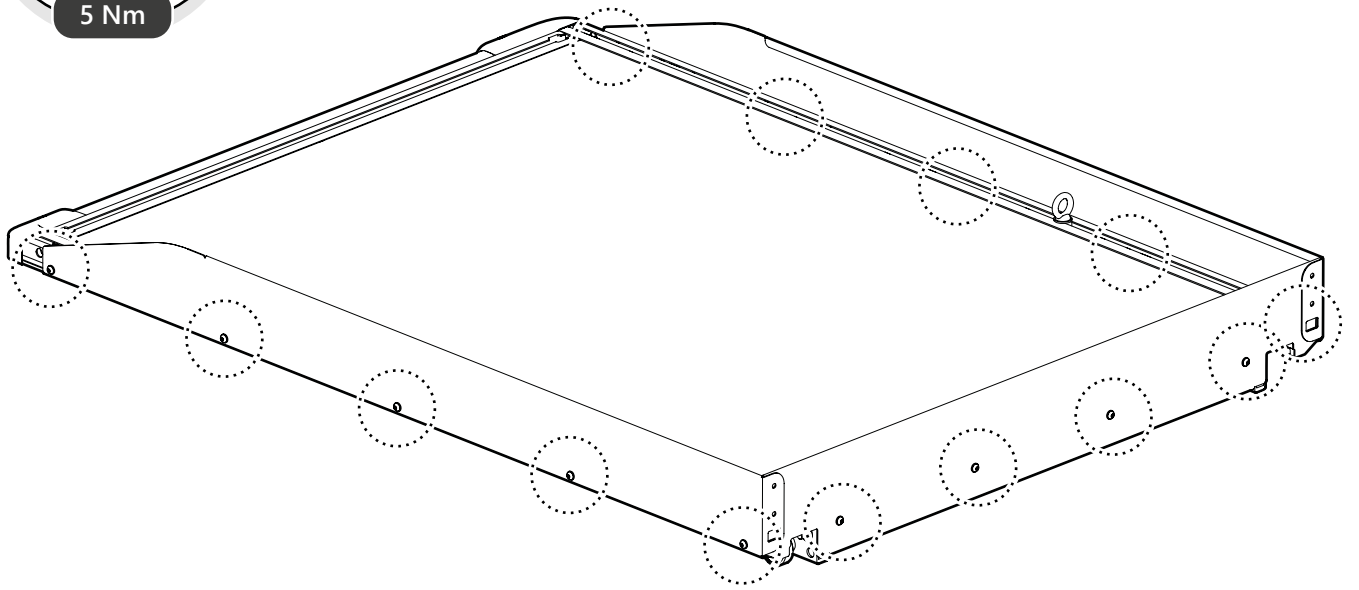
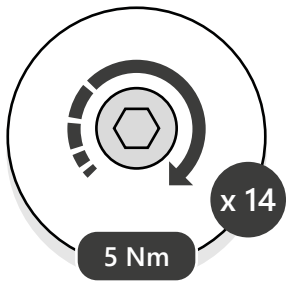
1



2











Customer Service +45 4810 2950 (08:00 - 16:00 CET)  
Fax +45 4810 2960  
Support info@mountaintop.dk  
Website www.mountaintop.dk  
Address Pedersholmparken 10, 3600 Frederikssund, Denmark

PART NUMBER(S)	MODEL / YEAR	CAB TYPE(S)	INSTALLATION TIME	WEIGHT
TO80/81/82	Toyota / 2006 - 2016	Double / Extra / Single	30 minute(s)	5 Kg
TO90/91/92	Toyota / 2015 →	Double / Extra / Single	30 minute(s)	5 Kg
IS90/91	Isuzu / 2006 - 2011	Double / Space	30 minute(s)	5 Kg
FO90/91	Ford / 2011 →	Double / Super	30 minute(s)	5 Kg
MI90/91	Mitsubishi / 2015 →	Double / Club	30 minute(s)	5 Kg
MA90/91	Mazda / 2011 →	Double / Super	30 minute(s)	5 Kg
NI90/91	Nissan / 2015 →	Double / King	30 minute(s)	5 Kg
VW80	Volkswagen / 2010 →	Double	30 minute(s)	5 Kg
MB90	Mercedes / 2017 →	Double	30 minute(s)	5 Kg
RE90/91	Renault / 2017 →	Double / King	30 minute(s)	5 Kg

<b>GB</b> Installation manual	<b>S</b> Monteringsanvisning	<b>D</b> Einbauanleitung
<b>SF</b> Asennusohje	<b>E</b> Instrucciones de montaje	<b>CZ</b> Návod k instalaci
<b>F</b> Notice de montage	<b>H</b> Szerelési utasítás	<b>I</b> Istruzioni de montaggio
<b>PL</b> Instrukcja montażu	<b>P</b> Instruções de instalação	<b>GR</b> Οδηγίες Εγκατάστασης
<b>NL</b> Installatie-instructies	<b>RUS</b> Инструкция по установке	<b>DK</b> Monteringsvejledning
<b>TR</b> Montaj Talimatı	<b>N</b> Monteringsveiledning	<b>RO</b> Instructiuni de instalare